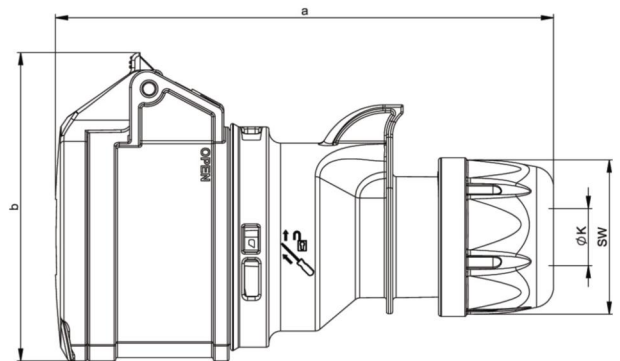


PCE data sheet

| | |
|------------------------|--|
| article# | 215-6 |
| article description | CEE-connector 16A 5p 6h IP44/IP54 SHARK |
| description long | CEE-connector 16A 5p 6h IP44/IP54 SHARK housing material: PA6 rated current: 16A number of poles: 5 (3P+N+PE) clock-position: 6h rated voltage/frequency: 200/346V~ - 240/415V~ / 50+60Hz contacts: brass connection technology: screw terminals IP protection class: IP44/IP54 |
| GTIN (EAN) | 9003399102134 |
| country of origin | AT |
| customs number | 85366990 |
| net weight | 0.180 kg |
| packaging quantity | 10 |
| minimum order quantity | 10 |

| | |
|---------------------------|----------------------|
| ETIM 7.0 | EC001320 |
| IEC-amperage | 16 A |
| Number of poles | 5 |
| Voltage acc. EN 60309-2 | 400 V (50+60 Hz) red |
| Clock hour position | 6 h |
| Identification colour | Red |
| Degree of protection (IP) | IP44 |
| Connection system | Screwed terminal |
| Angle of plug | Straight |
| Cable entry | Swivel |
| Material | Plastic |
| Contact material | CuZn |
| Surface finish contacts | Untreated |

| | |
|--------------------|-----------------------|
| a | 145 mm |
| b | 89 mm |
| K (cable Ø) | 8-16 mm |
| SW | 42 mm |
| wire flexible | 1-2,5 mm ² |
| contact screws | 100 Ncm |
| strain relief | 500 Ncm |
| dismantling length | 50 mm |
| stripping length | 10-12 mm |



www.manufacturer-safety.info